

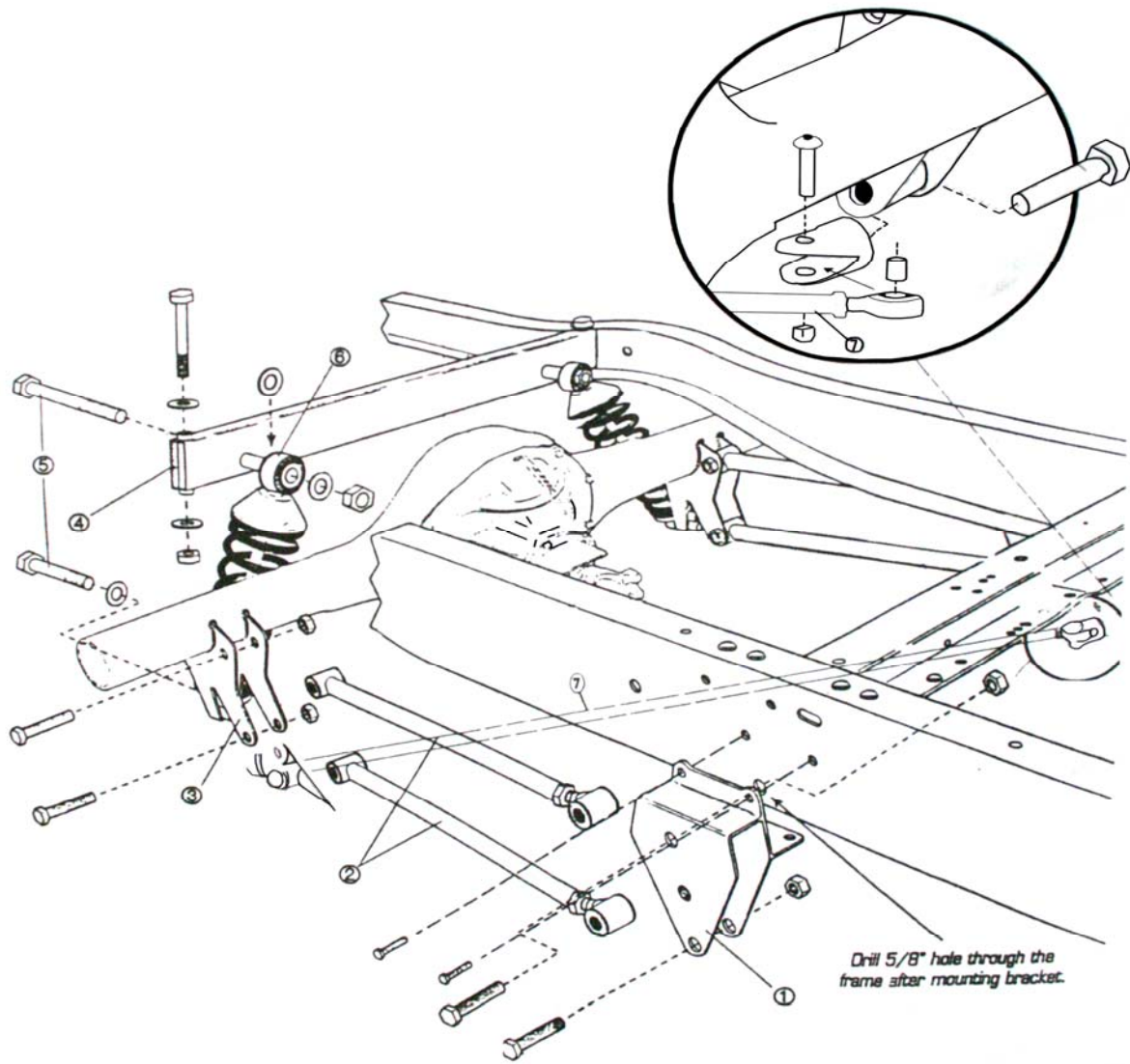
1955-1959 Chevy Truck Coil-Over 4-Link w/Track Bar Installation Instructions

1-866-925-1101

www.totalcostinvolved.com

**CHECK ALL PARTS INCLUDED IN THIS KIT TO THE PARTS LIST BEFORE INSTALLATING OF THE KIT.
IF ANY PIECES ARE MISSING, PLEASE CONTACT: TOTAL COST INVOLVED 800-925-1101**

1. Before removing the stock rear end springs, mark the frame and take measurement as to where the stock axle centerline should be. It might be necessary to re-locate the centerline forward or back so that the tires will be centered in the wheel wells.
2. Remove front spring mounts by grinding off rivet heads and punch rivet body through the frame. Drill out rivet holes to 7/16".
3. Install the 4-link frame brackets (part no.1) to the frame where the original front spring perch used to be. To determine left and right side bracket, the lower 4-link holes on the frame brackets have to be further forward than the upper holes.
4. After tightening all of the 7/16" bolts on the frame bracket, drill out the frame, through the upper holes of the frame brackets to 5/8".
5. Weld on the axle brackets (part no. 3) on the axles (36" C-C), making sure that they are centered on the housing and that the rear side of the brackets (where the three holes for the coil-over shocks are located) are parallel with the mounting surface for the 3rd member.
6. Adjust the 4-links (part no. 2) so that they have 1/2" of the threads showing on the adjuster and install them on the rear end and frame. Install the locknut for the front, upper 4-link mounting bold on the inside of the frame rail.
7. Raise the rear end to the ride height. Check your wheel base and axle location.
8. Install coil-over shocks (part no. 6) to the rear end (with the threaded adjuster on the bottom), making sure that there is a spacer between the lower coil-over mount and axle bracket.
9. Remove the stock shock absorber crossmember and install the new coil-over crossmember (part no. 4) on to the frame with the tube extension on the lower side of the crossmember and pointing forward. Line up the coil-over upper mount to the end of the tube extension so that the coil-over shock in not leaning forward or backward. Mount the coil-over crossmember to the frame by drilling some 5/8" holes if there aren't any existing holes available.
10. Lower 4-link bar (part no. 7) bolts go through axle bracket and frame bracket and attach to the track bar brackets.



- | | |
|--------------------------------|-----|
| 1. 4-link frame bracket (L&R) | (1) |
| 2. 4-link | (4) |
| 3. Axle Brackets | (2) |
| 4. Coil-over crossmember | (1) |
| 5. Coil-over Mounting Bolts | (1) |
| 6. Coil-over Shocks | (2) |
| 7. Track Bar With Hardware Kit | (1) |